

# DEWALT®



**Instruction Manual  
Guide D'utilisation  
Manual de instrucciones**

## **D25951**

**29 lbs. (13.3 kg) SDS MAX Demolition Hammer**

**13,3 kg (29 lbs.) Marteau Percuteur de Démolition SDS MAX**

**13,3 kg (29 lbs.) Martillo de Demolición SDS MAX**

**[WWW.DEWALT.com](http://www.DEWALT.com)**

**If you have questions or comments, contact us.  
Pour toute question ou tout commentaire, nous contacter.  
Si tiene dudas o comentarios, contáctenos.**

**1-800-4-DEWALT**

## ENGLISH

---

English ( <b><i>original instructions</i></b> )	1
---	---

---

Français ( <i>traduction de la notice d'instructions originale</i> )	8
--	---

---

Español ( <i>traducido de las instrucciones originales</i> )	16
--	----

---

## Definitions: Safety Alert Symbols and Words

This instruction manual uses the following safety alert symbols and words to alert you to hazardous situations and your risk of personal injury or property damage.





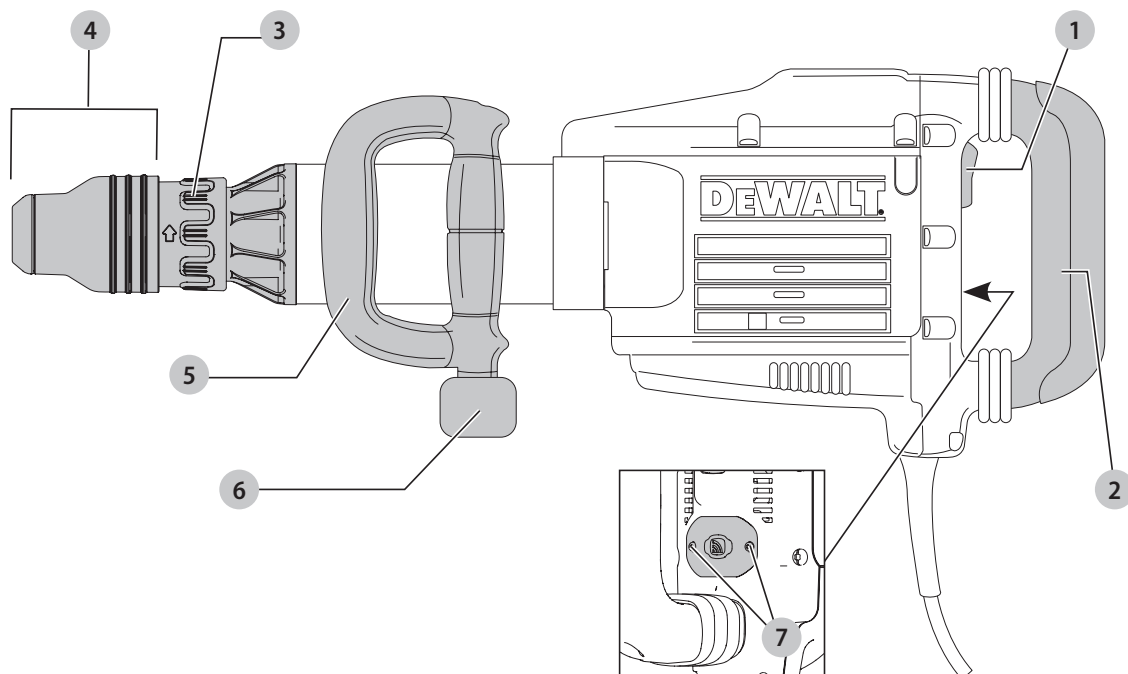


-  **DANGER:** Indicates an imminently hazardous situation which, if not avoided, **will** result in **death or serious injury**.
-  **WARNING:** Indicates a potentially hazardous situation which, if not avoided, **could** result in **death or serious injury**.
-  **CAUTION:** Indicates a potentially hazardous situation which, if not avoided, **may** result in **minor or moderate injury**.
-  (Used without word) Indicates a safety related message.
- NOTICE:** Indicates a practice **not related to personal injury** which, if not avoided, **may** result in **property damage**.

Fig. A



- 1 On/off switch
- 2 Main handle
- 3 Chisel position index collar
- 4 Tool holder/sleeve
- 5 Bail/loop style auxiliary handle
- 6 Screw for handle mounting
- 7 Tool Tag mounting holes

 **WARNING! Read all safety warnings and all instructions.** Failure to follow the warnings and instructions may result in electric shock, fire and/or serious injury.

 **WARNING:** To reduce the risk of injury, read the instruction manual.

**If you have any questions or comments about this or any DEWALT tool, call us toll free at: 1-800-4-DEWALT (1-800-433-9258).**

## GENERAL POWER TOOL SAFETY WARNINGS



**WARNING!** Read all safety warnings and all instructions. Failure to follow the warnings and instructions may result in electric shock, fire and/or serious injury.

### SAVE ALL WARNINGS AND INSTRUCTIONS FOR FUTURE REFERENCE

The term "power tool" in the warnings refers to your mains-operated (corded) power tool or battery-operated (cordless) power tool.

#### 1) Work Area Safety

- a) **Keep work area clean and well lit.** Cluttered or dark areas invite accidents.
- b) **Do not operate power tools in explosive atmospheres, such as in the presence of flammable liquids, gases or dust.** Power tools create sparks which may ignite the dust or fumes.
- c) **Keep children and bystanders away while operating a power tool.** Distractions can cause you to lose control.

#### 2) Electrical Safety

- a) **Power tool plugs must match the outlet. Never modify the plug in any way. Do not use any adapter plugs with earthed (grounded) power tools.** Unmodified plugs and matching outlets will reduce risk of electric shock.
- b) **Avoid body contact with earthed or grounded surfaces such as pipes, radiators, ranges and refrigerators.** There is an increased risk of electric shock if your body is earthed or grounded.
- c) **Do not expose power tools to rain or wet conditions.** Water entering a power tool will increase the risk of electric shock.
- d) **Do not abuse the cord. Never use the cord for carrying, pulling or unplugging the power tool. Keep cord away from heat, oil, sharp edges or moving parts.** Damaged or entangled cords increase the risk of electric shock.
- e) **When operating a power tool outdoors, use an extension cord suitable for outdoor use.** Use of a cord suitable for outdoor use reduces the risk of electric shock.
- f) **If operating a power tool in a damp location is unavoidable, use a ground fault circuit interrupter (GFCI) protected supply.** Use of a GFCI reduces the risk of electric shock.

#### 3) Personal Safety

- a) **Stay alert, watch what you are doing and use common sense when operating a power tool. Do not use a power tool while you are tired or under the influence of drugs, alcohol or medication.** A moment of inattention while operating power tools may result in serious personal injury.

- b) **Use personal protective equipment. Always wear eye protection.** Protective equipment such as dust mask, non-skid safety shoes, hard hat, or hearing protection used for appropriate conditions will reduce personal injuries.
- c) **Prevent unintentional starting. Ensure the switch is in the off position before connecting to power source and/or battery pack, picking up or carrying the tool.** Carrying power tools with your finger on the switch or energizing power tools that have the switch on invites accidents.
- d) **Remove any adjusting key or wrench before turning the power tool on.** A wrench or a key left attached to a rotating part of the power tool may result in personal injury.
- e) **Do not overreach. Keep proper footing and balance at all times.** This enables better control of the power tool in unexpected situations.
- f) **Dress properly. Do not wear loose clothing or jewelry. Keep your hair, clothing and gloves away from moving parts.** Loose clothes, jewelry or long hair can be caught in moving parts.
- g) **If devices are provided for the connection of dust extraction and collection facilities, ensure these are connected and properly used.** Use of dust collection can reduce dust-related hazards.

#### 4) Power Tool Use and Care

- a) **Do not force the power tool. Use the correct power tool for your application.** The correct power tool will do the job better and safer at the rate for which it was designed.
- b) **Do not use the power tool if the switch does not turn it on and off.** Any power tool that cannot be controlled with the switch is dangerous and must be repaired.
- c) **Disconnect the plug from the power source and/or the battery pack from the power tool before making any adjustments, changing accessories, or storing power tools.** Such preventive safety measures reduce the risk of starting the power tool accidentally.
- d) **Store idle power tools out of the reach of children and do not allow persons unfamiliar with the power tool or these instructions to operate the power tool.** Power tools are dangerous in the hands of untrained users.
- e) **Maintain power tools. Check for misalignment or binding of moving parts, breakage of parts and any other condition that may affect the power tool's operation. If damaged, have the power tool repaired before use.** Many accidents are caused by poorly maintained power tools.
- f) **Keep cutting tools sharp and clean.** Properly maintained cutting tools with sharp cutting edges are less likely to bind and are easier to control.
- g) **Use the power tool, accessories and tool bits, etc. in accordance with these instructions, taking**

into account the working conditions and the work to be performed. Use of the power tool for operations different from those intended could result in a hazardous situation.

## 5) Service

- a) **Have your power tool serviced by a qualified repair person using only identical replacement parts.** This will ensure that the safety of the power tool is maintained.

## Additional Safety Instructions for Demolition Hammers

- **Wear ear protectors.** Exposure to noise can cause hearing loss.
- **Use auxiliary handles supplied with the tool.** Loss of control can cause personal injury.
- **Hold power tool by insulated gripping surfaces when performing an operation where the cutting accessory may contact hidden wiring or its own cord.** Cutting accessory contacting a "live" wire may make exposed metal parts of the power tool "live" and could give the operator an electric shock.
- **Be certain that the material being drilled does not conceal electric or gas service and that their locations have been verified with the utility companies.**
- **Keep a firm grip on the tool at all times.** Do not attempt to operate this tool without holding it with both hands. Operating this tool with one hand will result in loss of control. Breaking through or encountering hard materials such as re-bar may be hazardous as well. Tighten the side handle securely before use.
- **Ensure the chisel is secured in place before operating the tool.**
- **In cold-weather conditions or when the tool has not been used for a longer period of time, let the tool run with no load for several minutes before use.**
- **When working above ground level ensure the area below is clear.**
- **Do not touch the chisel or the parts close to the chisel immediately after operation, as they may be extremely hot and cause burns to the skin.**
- **Always direct the power cable to the rear, away from the chisel.**
- **Do not operate this tool for long periods of time.** Vibration caused by hammer action may be harmful to your hands and arms. Use gloves to provide extra cushion and limit exposure by taking frequent rest periods.

## Additional Safety Information



**WARNING: ALWAYS** use safety glasses. Everyday eyeglasses are NOT safety glasses. Also use face or dust mask if cutting operation is dusty. **ALWAYS WEAR CERTIFIED SAFETY EQUIPMENT:**

- ANSI Z87.1 eye protection (CAN/CSA Z94.3),
- ANSI S12.6 (S3.19) hearing protection,
- NIOSH/OSHA/MSHA respiratory protection.



**WARNING:** Some dust created by power sanding, sawing, grinding, drilling, and other construction activities contains chemicals known to the State of California to cause cancer, birth defects or other reproductive harm. Some examples of these chemicals are:

- lead from lead-based paints,
- crystalline silica from bricks and cement and other masonry products, and
- arsenic and chromium from chemically-treated lumber.

Your risk from these exposures varies, depending on how often you do this type of work. To reduce your exposure to these chemicals: work in a well ventilated area, and work with approved safety equipment, such as those dust masks that are specially designed to filter out microscopic particles.

- **Avoid prolonged contact with dust from power sanding, sawing, grinding, drilling, and other construction activities. Wear protective clothing and wash exposed areas with soap and water.** Allowing dust to get into your mouth, eyes, or lay on the skin may promote absorption of harmful chemicals.



**WARNING:** Use of this tool can generate and/or disperse dust, which may cause serious and permanent respiratory or other injury. Always use NIOSH/OSHA approved respiratory protection appropriate for the dust exposure. Direct particles away from face and body.



**WARNING: Always wear proper personal hearing protection that conforms to ANSI S12.6 (S3.19) during use.** Under some conditions and duration of use, noise from this product may contribute to hearing loss.



**CAUTION: When not in use, place tool on its side on a stable surface where it will not cause a tripping or falling hazard.**

- **Air vents often cover moving parts and should be avoided.** Loose clothes, jewelry or long hair can be caught in moving parts.
- **An extension cord must have adequate wire size (AWG or American Wire Gauge) for safety.** The smaller the gauge number of the wire, the greater the capacity of the cable, that is, 16 gauge has more capacity than 18 gauge. An undersized cord will cause a drop in line voltage resulting in loss of power and overheating. When using more than one extension to make up the total length, be sure each individual extension contains at least the minimum wire size. The following table shows the correct size to use depending on cord length and nameplate ampere rating. If in doubt, use the next heavier gauge. The lower the gauge number, the heavier the cord.

ENGLISH

Minimum Gauge for Cord Sets

Volts	Total Length of Cord in Feet (meters)				
	120 V	25 (7.6)	50 (15.2)	100 (30.5)	150 (45.7)
240 V	50 (15.2)	100 (30.5)	200 (61.0)	300 (91.4)	
Ampere Rating		American Wire Gauge			
More Than	Not More Than				
0	6	18	16	16	14
6	10	18	16	14	12
10	12	16	16	14	12
12	16	14	12	Not Recommended	

The label on your tool may include the following symbols. The symbols and their definitions are as follows:

V .....	volts		or AC/DC... alternating or direct current
Hz .....	hertz		Class II Construction (double insulated)
min .....	minutes		n <sub>0</sub> ..... no load speed
— — — or DC.....	direct current		n ..... rated speed
	Class I Construction (grounded)		..... earthing terminal
.../min.....	per minute		..... safety alert symbol
BPM.....	beats per minute		..... visible radiation
IPM.....	impacts per minute		..... wear respiratory protection
RPM.....	revolutions per minute		..... wear eye protection
sfpm .....	surface feet per minute		..... wear hearing protection
SPM.....	strokes per minute		..... read all documentation
A .....	amperes		
W .....	watts		
	alternating current		

**SAVE THESE INSTRUCTIONS FOR FUTURE USE**

**Motor**

Be sure your power supply agrees with the nameplate marking. Voltage decrease of more than 10% will cause loss of power and overheating. DeWALT tools are factory tested; if this tool does not operate, check power supply.

**COMPONENTS (FIG. A)**

**WARNING:** Never modify the power tool or any part of it. Damage or personal injury could result.

Refer to Figure A at the beginning of this manual for a complete list of components.

**Intended Use**

Your heavy-duty demolition hammer is designed for professional demolition, chipping and chasing applications in concrete, brick, stone and other masonry materials.

**DO NOT** use under wet conditions or in presence of flammable liquids or gases.

Your heavy-duty demolition hammer is a professional power tool.

**DO NOT** let children come into contact with the tool. Supervision is required when inexperienced operators use this tool.

**Soft Start Feature**

The soft start feature allows the impact rate to build up more slowly, thus preventing the chisel or point from “bouncing” around on the masonry when starting up.

**Active Vibration Control**

The active vibration control neutralizes rebound vibration from the hammer mechanism. Lowering hand and arm vibration, it allows more comfortable use for longer periods of time and extends the life of the unit.

**ASSEMBLY AND ADJUSTMENTS**

**WARNING:** To reduce the risk of serious personal injury, turn unit off and disconnect it from power source before making any adjustments or removing/installing attachments or accessories. An accidental start-up can cause injury.

**Bail/Loop Style Auxiliary Handle (Fig. B)**

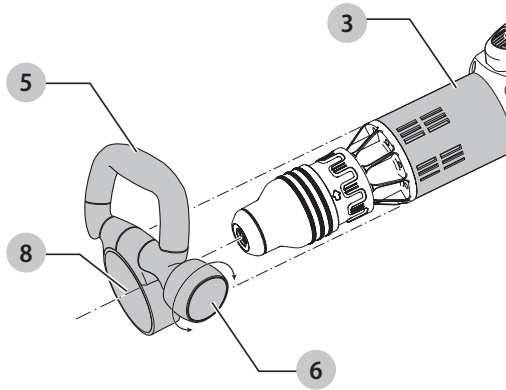
**WARNING:** To reduce the risk of personal injury, ALWAYS operate the tool with the bail/loop style auxiliary handle properly installed. Failure to do so may result in the bail/loop style auxiliary handle slipping during tool operation and subsequent loss of control. Hold tool with both hands to maximize control.

The bail/loop style auxiliary handle 5 clamps to the front of the gear case and may be rotated 360° to permit right- or left-hand use.

**Mounting the Bail/Loop Style Auxiliary Handle (Fig. B)**

1. Widen the ring opening 8 of the bail/loop style auxiliary handle 5 by rotating the screw for handle mounting 6 counter clockwise.
2. Slide the assembly onto the nose of the tool through the ring opening 8 and onto the chisel position index collar 3, past the chisel holder and sleeve.
3. Rotate the bail/loop style auxiliary handle to the desired position.
4. Lock the bail/loop style auxiliary handle in place by securely tightening the screw for handle mounting 6 rotating it clockwise so that the assembly will not rotate.

Fig. B



### Chisels and Chisel Holder

**! WARNING:** Burn Hazard. **ALWAYS** wear gloves when changing chisels. Accessible metal parts on the tool and chisels may get extremely hot during operation. Small bits of broken material may damage bare hands.

**! WARNING:** Do not attempt to tighten or loosen drill chisels (or any other accessory) by gripping the front part of the chuck and turning the tool on. Damage to the chuck and personal injury may occur.

The demolition hammer can be fitted with various chisels depending on the desired application. **Use sharp chisels only.**

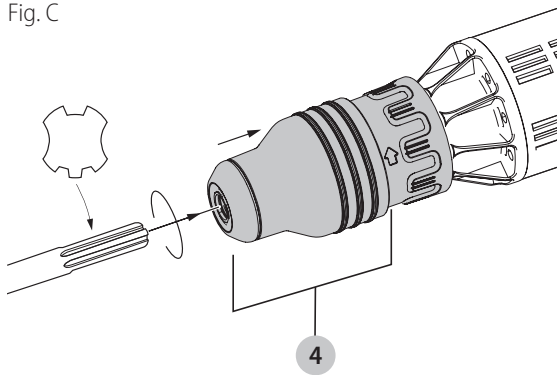
### Inserting and Removing SDS MAX Chisels (Fig. C)

**NOTE:** Accessories and attachments used must be lubricated around the SDS MAX fitment before installation.

1. Insert chisel in the tool holder/sleeve **4** and apply downward pressure while rotating to secure the chisel into place. The chisel shank must be clean.
2. Ensure the chisel is properly engaged.

**NOTE:** The chisel needs to move several centimeters in and out of the tool holder/sleeve **4** when properly engaged.

Fig. C



3. To remove the chisel pull back the tool holder/sleeve **4** and pull the chisel out.

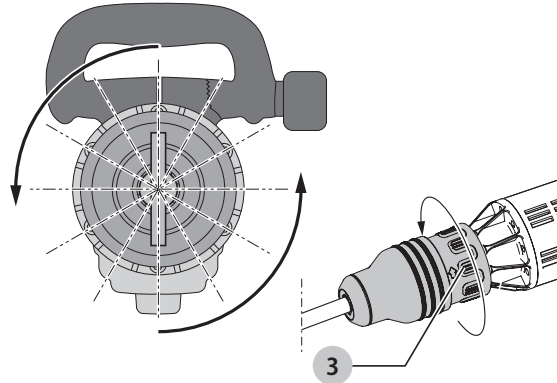
### Indexing the Chisel Position (Fig. D)

The chisel can be indexed and locked into 12 different positions.

1. Insert the chisel as described above.
2. Rotate the chisel position index collar **3** in the direction of the arrow until the chisel is in the desired position.

**NOTE:** After finding the desired position, slightly maneuver the chisel back and forth to ensure the chisel is properly engaged.

Fig. D



### DeWALT Tool Tag Ready (Fig. A)

#### Optional Accessory

Your hammer comes with mounting holes **7** and fasteners for installing a DeWALT Tool Tag. You will need a T20 bit tip to install the tag. The DeWALT Tool Tag is designed for tracking and locating professional power tools, equipment, and machines using the DeWALT Tool Connect™ app. For proper installation of the DeWALT Tool Tag refer to the DeWALT Tool Tag manual.

#### OPERATION

**! WARNING:** To reduce the risk of serious personal injury, turn unit off and disconnect it from power source before making any adjustments or removing/installing attachments or accessories. An accidental start-up can cause injury.

**! WARNING:** Always observe the safety instructions and applicable regulations.

**! WARNING:** Be aware of the location of pipework and wiring.

**! WARNING:** Apply a pressure of approx. 44–66 lbs. (20–30 kg.) to the tool. Excessive force does not speed up chiselling but decreases tool performance and may shorten tool life.

#### Proper Hand Position (Fig. E)

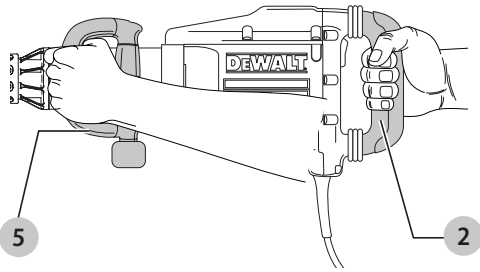
**! WARNING:** To reduce the risk of serious personal injury, **ALWAYS** use proper hand position as shown.

**! WARNING:** To reduce the risk of serious personal injury, **ALWAYS** hold securely in anticipation of a sudden reaction.

## ENGLISH

Proper hand position requires one hand on the bail/loop style auxiliary handle **5** with the other hand on the main handle **2**.

Fig. E



## Switching On and Off (Fig. A)

To turn the tool on, set the on/off switch **1** to position 1. To turn the tool off, set the on/off switch **1** to position 0.

## Demolition, Chasing and Channelling (Fig. A)

**WARNING:** Ensure that the cutting edge does not show discoloration caused by too much pressure. This may impair the hardness of the accessory.

Various types of chisels are available as an option.

1. Select the appropriate chisel. Clean and grease its shank.
2. Insert the chisel and check whether it is properly locked.
3. Fit and adjust the bail/loop style auxiliary handle **5** and make sure it is firmly tightened.
4. Hold the tool with both the main handle and the bail/loop style auxiliary handle and switch on. The tool now runs in continuous operation.
5. Always switch off the tool when work is finished and before unplugging.

## MAINTENANCE

**WARNING:** To reduce the risk of serious personal injury, turn unit off and disconnect it from power source before making any adjustments or removing/installing attachments or accessories. An accidental start-up can cause injury.

## Lubrication

Your power tool requires no additional lubrication.

## Cleaning

**WARNING:** Blow dirt and dust out of all air vents with clean, dry air at least once a week. To minimize the risk of eye injury, always wear ANSI Z87.1 approved eye protection when performing this.

**WARNING:** Never use solvents or other harsh chemicals for cleaning the non-metallic parts of the tool. These chemicals may weaken the plastic materials used in these parts. Use a cloth dampened only with water and mild soap. Never let any liquid get inside the tool; never immerse any part of the tool into a liquid.

## Accessories

**WARNING:** Since accessories, other than those offered by DEWALT, have not been tested with this product, use of such accessories with this tool could be hazardous. To reduce the risk of injury, only DEWALT recommended accessories should be used with this product.

Recommended accessories for use with your tool are available at extra cost from your local dealer or authorized service center. If you need assistance in locating any accessory, please contact DEWALT Industrial Tool Co., 701 East Joppa Road, Towson, MD 21286, call 1-800-4-DEWALT (1-800-433-9258) or visit our website: [www.dewalt.com](http://www.dewalt.com).

## Repairs

**WARNING:** To assure product SAFETY and RELIABILITY, repairs, maintenance and adjustment (including brush inspection and replacement, when applicable) should be performed by a DEWALT factory service center or a DEWALT authorized service center. Always use identical replacement parts.

## Register Online

Thank you for your purchase. Register your product now for:

- **WARRANTY SERVICE:** Registering your product will help you obtain more efficient warranty service in case there is a problem with your product.
- **CONFIRMATION OF OWNERSHIP:** In case of an insurance loss, such as fire, flood or theft, your registration of ownership will serve as your proof of purchase.
- **FOR YOUR SAFETY:** Registering your product will allow us to contact you in the unlikely event a safety notification is required under the Federal Consumer Safety Act.

Register online at [www.dewalt.com/register](http://www.dewalt.com/register).

## Three Year Limited Warranty

DEWALT will repair, without charge, any defects due to faulty materials or workmanship for three years from the date of purchase. This warranty does not cover part failure due to normal wear or tool abuse. For further detail of warranty coverage and warranty repair information, visit [www.dewalt.com](http://www.dewalt.com) or call 1-800-4-DEWALT (1-800-433-9258). This warranty does not apply to accessories or damage caused where repairs have been made or attempted by others. THIS LIMITED WARRANTY IS GIVEN IN LIEU OF ALL OTHERS, INCLUDING THE IMPLIED WARRANTY OF MERCHANTABILITY AND FITNESS FOR A PARTICULAR PURPOSE, AND EXCLUDES ALL INCIDENTAL OR CONSEQUENTIAL DAMAGES. Some states do not allow limitations on how long an implied warranty lasts or the exclusion or limitation of incidental or consequential damages, so these limitations may not apply to you. This warranty gives you specific legal rights and you may have other rights which vary in certain states or provinces.



In addition to the warranty, DEWALT tools are covered by our:

**2 YEARS FREE SERVICE**

DEWALT will maintain the tool and replace worn parts caused by normal use, for free, any time during the first two years after purchase.

**90 DAY MONEY BACK GUARANTEE**

If you are not completely satisfied with the performance of your DEWALT Power Tool, Laser, or Nailer for any reason, you can return it within 90 days from the date of purchase with a receipt for a full refund – no questions asked.

**LATIN AMERICA:** This warranty does not apply to products sold in Latin America. For products sold in Latin America, see country specific warranty information contained in the packaging, call the local company or see website for warranty information.

**FREE WARNING LABEL REPLACEMENT:** If your warning labels become illegible or are missing, call 1-800-4-DEWALT (1-800-433-9258) for a free replacement.

**TROUBLESHOOTING GUIDE**

**BE SURE TO FOLLOW SAFETY RULES AND INSTRUCTIONS**

For assistance with your product, visit our website at [www.dewalt.com](http://www.dewalt.com) for a list of service centers, or call DEWALT at 1-800-4-DEWALT (1-800-433-9258).

PROBLEM	POSSIBLE CAUSE	SOLUTION
Tool will not start.	The extension cord and/or plug is defective.	Have the extension cord and/or plug checked by a qualified electrician and replaced if necessary.
	Internal componets too hot.	Allow tool to cool down.
	Brushes worn out.	Have brushes replaced by an authorized DEWALT service center.
Reduced Power.	The extension cord is too long and/or its gauge is inadequate.	Use an extension cord of an approved length and/or of adequate gauge.
	The voltage provided by the electric supply is inadequate.	Connect the hammer to an adequate electric supply.
The chisel cannot be released.	The chuck is not pulled back fully.	Pull the chuck back as far as it will go and remove the chisel. Refer to <i>Inserting and Removing SDS MAX Chisels</i> .

## Définitions : symboles et termes d'alarmes sécurité

Ces guides d'utilisation utilisent les symboles et termes d'alarmes sécurité suivants pour vous prévenir de situations dangereuses et de risques de dommages corporels ou matériels.



**DANGER** : indique une situation dangereuse imminente qui, si elle n'est pas évitée, **entraînera la mort ou des blessures graves**.



**AVERTISSEMENT** : indique une situation potentiellement dangereuse qui, si elle n'est pas évitée, **pourrait entraîner la mort ou des blessures graves**.



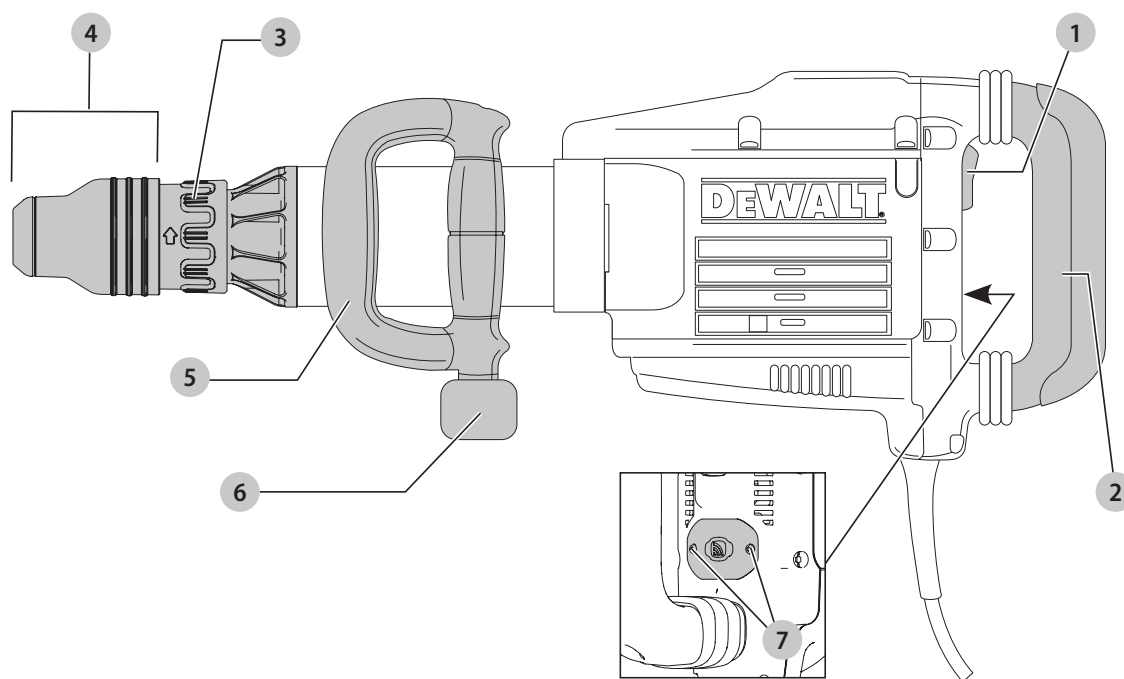
**ATTENTION** : indique une situation potentiellement dangereuse qui, si elle n'est pas évitée, **pourrait entraîner des blessures légères ou modérées**.



(Si utilisé sans aucun terme) Indique un message propre à la sécurité.

**AVIS** : indique une pratique ne posant **aucun risque de dommages corporels** mais qui par contre, si rien n'est fait pour l'éviter, **pourrait poser des risques de dommages matériels**.

Fig. A



- 1 Interrupteur marche/arrêt
- 2 Poignée arrière
- 3 Bague d'indexation de positionnement de burin
- 4 Porte-outil/manchon
- 5 Poignée auxiliaire de style boucle/anse
- 6 Vis pour le montage de la poignée
- 7 Trous de montage de la balise de l'outil



**AVERTISSEMENT!** lire tous les avertissements de sécurité et toutes les directives. Le non-respect des avertissements et des directives pourrait se solder par un choc électrique, un incendie et/ou une blessure grave.



**AVERTISSEMENT** : afin de réduire le risque de blessures, lire le mode d'emploi de l'outil.

Pour toute question ou remarque au sujet de cet outil ou de tout autre outil DEWALT, composez le numéro sans frais : 1-800-4-DEWALT (1-800-433-9258).

## AVERTISSEMENTS DE SÉCURITÉ GÉNÉRAUX POUR LES OUTILS ÉLECTRIQUES



**AVERTISSEMENT!** lire tous les avertissements de sécurité et toutes les directives. Le non-respect des avertissements et des directives pourrait se solder par un choc électrique, un incendie et/ou une blessure grave.

### CONSERVER TOUS LES AVERTISSEMENTS ET TOUTES LES DIRECTIVES POUR UN USAGE ULTÉRIEUR

Le terme « outil électrique » cité dans les avertissements se rapporte à votre outil électrique à alimentation sur secteur (avec fil) ou par piles (sans fil).

#### 1) Sécurité du lieu de travail

- Tenir l'aire de travail propre et bien éclairée.**  
Les lieux encombrés ou sombres sont propices aux accidents.
- Ne pas faire fonctionner d'outils électriques dans un milieu déflagrant, tel qu'en présence de liquides, de gaz ou de poussières inflammables.**  
Les outils électriques produisent des étincelles qui pourraient enflammer la poussière ou les vapeurs.
- Éloigner les enfants et les personnes à proximité pendant l'utilisation d'un outil électrique.** Une distraction pourrait en faire perdre la maîtrise à l'utilisateur.

#### 2) Sécurité en matière d'électricité

- Les fiches des outils électriques doivent correspondre à la prise. Ne jamais modifier la fiche d'aucune façon. Ne jamais utiliser de fiche d'adaptation avec un outil électrique mis à la terre.** Le risque de choc électrique sera réduit par l'utilisation de fiches non modifiées correspondant à la prise.
- Éviter tout contact physique avec des surfaces mises à la terre comme des tuyaux, des radiateurs, des cuisinières et des réfrigérateurs.** Le risque de choc électrique est plus élevé si votre corps est mis à la terre.
- Ne pas exposer les outils électriques à la pluie ou à l'humidité.** La pénétration de l'eau dans un outil électrique augmente le risque de choc électrique.
- Ne pas utiliser le cordon de façon abusive. Ne jamais utiliser le cordon pour transporter, tirer ou débrancher un outil électrique. Tenir le cordon éloigné de la chaleur, de l'huile, des bords tranchants et des pièces mobiles.** Les cordons endommagés ou enchevêtrés augmentent les risques de choc électrique.
- Pour l'utilisation d'un outil électrique à l'extérieur, se servir d'une rallonge convenant à cette application.** L'utilisation d'une rallonge conçue pour l'extérieur réduira les risques de choc électrique.

- S'il est impossible d'éviter l'utilisation d'un outil électrique dans un endroit humide, brancher l'outil dans une prise ou sur un circuit d'alimentation dotés d'un disjoncteur de fuite à la terre (GFCI).** L'utilisation de ce type de disjoncteur réduit les risques de choc électrique.

#### 3) Sécurité personnelle

- Être vigilant, surveiller le travail effectué et faire preuve de jugement lorsqu'un outil électrique est utilisé. Ne pas utiliser d'outil électrique en cas de fatigue ou sous l'influence de drogues, d'alcool ou de médicaments.** Un simple moment d'inattention en utilisant un outil électrique peut entraîner des blessures corporelles graves.
- Utiliser des équipements de protection individuelle. Toujours porter une protection oculaire.** L'utilisation d'équipements de protection comme un masque antipoussière, des chaussures antidérapantes, un casque de sécurité ou des protecteurs auditifs lorsque la situation le requiert réduira les risques de blessures corporelles.
- Empêcher les démarrages intempestifs. S'assurer que l'interrupteur se trouve à la position d'arrêt avant de relier l'outil à une source d'alimentation et/ou d'insérer un bloc-piles, de ramasser ou de transporter l'outil.** Transporter un outil électrique alors que le doigt repose sur l'interrupteur ou brancher un outil électrique dont l'interrupteur est à la position de marche risque de provoquer un accident.
- Retirer toute clé de réglage ou clé avant de démarrer l'outil.** Une clé ou une clé de réglage attachée à une partie pivotante de l'outil électrique peut provoquer des blessures corporelles.
- Ne pas trop tendre les bras. Conserver son équilibre en tout temps.** Cela permet de mieux maîtriser l'outil électrique dans les situations imprévues.
- S'habiller de manière appropriée. Ne pas porter de vêtements amples ni de bijoux. Garder les cheveux, les vêtements et les gants à l'écart des pièces mobiles.** Les vêtements amples, les bijoux ou les cheveux longs risquent de rester coincés dans les pièces mobiles.
- Si des composants sont fournis pour le raccordement de dispositifs de dépoussiérage et de ramassage, s'assurer que ceux-ci sont bien raccordés et utilisés.** L'utilisation d'un dispositif de dépoussiérage peut réduire les dangers engendrés par les poussières.

#### 4) Utilisation et entretien d'un outil électrique

- Ne pas forcer un outil électrique. Utiliser l'outil électrique approprié à l'application.** L'outil électrique approprié effectuera un meilleur travail, de façon plus sûre et à la vitesse pour laquelle il a été conçu.

## FRANÇAIS

- b) **Ne pas utiliser un outil électrique dont l'interrupteur est défectueux.** Tout outil électrique dont l'interrupteur est défectueux est dangereux et doit être réparé.
- c) **Débrancher la fiche de la source d'alimentation et/ou du bloc-piles de l'outil électrique avant de faire tout réglage ou changement d'accessoire ou avant de ranger l'outil.** Ces mesures préventives réduisent les risques de démarrage accidentel de l'outil électrique.
- d) **Ranger les outils électriques hors de la portée des enfants et ne permettre à aucune personne n'étant pas familière avec un outil électrique ou son mode d'emploi d'utiliser cet outil.** Les outils électriques deviennent dangereux entre les mains d'utilisateurs inexpérimentés.
- e) **Entretien des outils électriques. Vérifier si les pièces mobiles sont mal alignées ou coincées, si des pièces sont brisées ou présentent toute autre condition susceptible de nuire au bon fonctionnement de l'outil électrique. En cas de dommage, faire réparer l'outil électrique avant toute nouvelle utilisation.** Beaucoup d'accidents sont causés par des outils électriques mal entretenus.
- f) **S'assurer que les outils de coupe sont aiguisés et propres.** Les outils de coupe bien entretenus et affûtés sont moins susceptibles de se coincer et sont plus faciles à maîtriser.
- g) **Utiliser l'outil électrique, les accessoires, les forets, etc. conformément aux présentes directives en tenant compte des conditions de travail et du travail à effectuer.** L'utilisation d'un outil électrique pour toute opération autre que celle pour laquelle il a été conçu est dangereuse.

### 5) Réparation

- a) **Faire réparer l'outil électrique par un réparateur professionnel en n'utilisant que des pièces de rechange identiques.** Cela permettra de maintenir une utilisation sécuritaire de l'outil électrique.

### Directives de sécurité supplémentaires pour les marteaux de démolition

- **Porter des protecteurs d'oreilles.** Une exposition au bruit peut entraîner une perte auditive.
- **Utiliser les poignées auxiliaires fournies avec l'outil.** Une perte de maîtrise de l'outil peut entraîner des blessures.
- **Tenir l'outil électrique par les surfaces isolées prévues à cet effet pendant toute utilisation où l'organe de coupe pourrait entrer en contact avec des fils électriques cachés ou son propre cordon.** Tout contact de l'organe de coupe avec un fil sous tension mettra les parties métalliques exposées de l'outil électrique sous tension et électrocutera l'utilisateur.
- **S'assurer que le matériau percé ne cache pas de conduit électrique ou de gaz et que leur**

**emplacement a été vérifié avec les entreprises de services publics.**

- **Tenir fermement l'outil en tout temps. Ne pas utiliser l'outil sans le tenir des deux mains.** Faire fonctionner cet outil d'une seule main risque de provoquer la perte de maîtrise de l'outil. Il peut aussi être dangereux de percer ou de tomber sur des matériaux durs comme une barre d'armature. Bien serrer la poignée latérale avant d'utiliser l'outil.
- **S'assurer que le burin est solidement fixé avant d'utiliser l'outil.**
- **Par temps froid ou lorsque l'outil n'a pas été utilisé pour une période prolongée de temps, laisser l'outil fonctionner à vide pour plusieurs minutes avant de l'utiliser.**
- **Lors de travaux au-dessus du niveau du sol, s'assurer que la zone inférieure adjacente est bien dégagée.**
- **Ne pas toucher le burin ou les pièces près du burin immédiatement après le fonctionnement de l'outil. Ils risquent d'être extrêmement chauds et de provoquer des brûlures cutanées.**
- **Toujours acheminer le cordon d'alimentation vers l'arrière, à l'écart du burin.**
- **Ne pas faire fonctionner cet outil durant de longues périodes.** Les vibrations causées par la percussion du marteau peuvent être nuisibles pour vos mains et vos bras. Utiliser des gants pour amortir davantage les vibrations et limiter l'exposition à l'outil par de fréquentes périodes de repos.

### Consigne de sécurité supplémentaire



**AVERTISSEMENT :** porter **SYSTEMATIQUEMENT** des lunettes de protection. Les lunettes courantes NE sont PAS des lunettes de protection. Utiliser aussi un masque antipoussières si la découpe doit en produire beaucoup. **PORTER SYSTÉMATIQUEMENT UN ÉQUIPEMENT DE SÉCURITÉ HOMOLOGUÉ :**

- Protection oculaire ANSI Z87.1 (CAN/CSA Z94.3) ;
- Protection auditive ANSI S12.6 (S3.19) ;
- Protection des voies respiratoires NIOSH/OSHA/MSHA.



**AVERTISSEMENT :** les scies, meules, ponceuses, perceuses ou autres outils de construction peuvent produire des poussières contenant des produits chimiques reconnus par l'État californien pour causer cancers, malformations congénitales ou être nocifs au système reproducteur. Parmi ces produits chimiques, on retrouve :

- Le plomb dans les peintures à base de plomb ;
- La silice cristallisée dans les briques et le ciment, ou autres produits de maçonnerie ; et
- L'arsenic et le chrome dans le bois ayant subi un traitement chimique.

Le risque associé à de telles expositions varie selon la fréquence à laquelle on effectue ces travaux. Pour réduire toute exposition à ces produits : travailler dans un endroit bien aéré, en utilisant du matériel de sécurité homologué, tel

un masque antipoussières spécialement conçu pour filtrer les particules microscopiques.

- **Limiter toute exposition prolongée avec les poussières provenant du ponçage, sciage, meulage, perçage ou toute autre activité de construction. Porter des vêtements de protection et nettoyer à l'eau savonneuse les parties du corps exposées.** Le fait de laisser la poussière pénétrer dans la bouche, les yeux ou la peau peut favoriser l'absorption de produits chimiques dangereux.

**AVERTISSEMENT :** cet outil peut produire et/ou répandre de la poussière susceptible de causer des dommages sérieux et permanents au système respiratoire. Utiliser systématiquement un appareil de protection des voies respiratoires homologué par le NIOSH ou l'OSHA. Diriger les particules dans le sens opposé au visage et au corps.

**AVERTISSEMENT :** pendant l'utilisation, porter systématiquement une protection auditive individuelle adéquate homologuée ANSI S12.6 (S3.19). Sous certaines conditions et suivant la durée d'utilisation, le bruit émanant de ce produit pourrait contribuer à une perte de l'acuité auditive.














**ATTENTION :** après utilisation, ranger l'outil sur son côté, sur une surface stable, là où il ne pourra ni faire trébucher ni faire chuter quelqu'un.

- **Prendre des précautions à proximité des événements, car ils cachent des pièces mobiles.** Vêtements amples, bijoux ou cheveux longs risquent de rester coincés dans ces pièces mobiles.
- **Pour la sécurité de l'utilisateur, utiliser une rallonge de calibre adéquat (AWG, American Wire Gauge [calibrage américain normalisé des fils électriques]).** Plus le calibre est petit, et plus sa capacité est grande. Un calibre 16, par exemple, a une capacité supérieure à un calibre 18. L'usage d'une rallonge de calibre insuffisant causera une chute de tension qui entraînera perte de puissance et surchauffe. Si plus d'une rallonge est utilisée pour obtenir une certaine longueur, s'assurer que chaque rallonge présente au moins le calibre de fil minimum. Le tableau ci-dessous illustre les calibres à utiliser selon la longueur de rallonge et l'intensité nominale indiquée sur la plaque signalétique. En cas de doute, utiliser le calibre suivant. Plus le calibre est petit, plus la rallonge peut supporter de courant.

#### Calibre minimum pour les cordons d'alimentation

Volts		Longueur totale du cordon d'alimentation en mètre (pieds)			
120 V		7,6 (25)	15,2 (50)	30,5 (100)	45,7 (150)
240 V		15,2 (50)	30,5 (100)	61,0 (200)	91,4 (300)
Ampères		AWG			
Plus que	Pas plus que				
0	6	18	16	16	14
6	10	18	16	14	12
10	12	16	16	14	12
12	16	14	12	Non recommandé	

L'étiquette apposée sur votre outil peut inclure les symboles suivants. Les symboles et leur définition sont indiqués ci-après :

V .....	volts	 or AC.....	courant alternatif
Hz .....	hertz	 or AC/DC....	courant alternatif ou continu
min .....	minutes		fabrication classe II (double isolation)
 or DC.....	courant continu		$n_0$ ..... vitesse à vide
	fabrication classe I (mis à la terre)	$n$ .....	vitesse nominale
.../min.....	par minute		borne de terre
BPM.....	battements par minute		symbole d'avertissement
IPM.....	impacts par minute		radiation visible
RPM.....	révolutions par minute		protection respiratoire
sfpn .....	pieds linéaires par minute (plpm)		protection oculaire
SPM (FPM) .....	fréquence par minute		protection auditive
A .....	ampères		lire toute la documentation
W.....	watts		

## CONSERVER CES CONSIGNES POUR UTILISATION ULTÉRIEURE

### Moteur

S'assurer que le bloc d'alimentation est compatible avec l'inscription de la plaque signalétique. Une diminution de tension de plus de 10 % provoquera une perte de puissance et une surchauffe. Les outils DEWALT sont testés en usine ; si cet outil ne fonctionne pas, vérifier l'alimentation électrique.

### DESCRIPTION (FIG. A)

**AVERTISSEMENT :** ne jamais modifier l'outil électrique ni aucun de ses composants, car il y a risques de dommages corporels ou matériels.

Reportez-vous en Figure A au début de ce manuel pour obtenir la liste complète des composants.

### Usage Prévu

Votre marteau de démolition pour service dur est conçu pour la démolition, le burinage et la gravure professionnels sur la brique, le béton, la pierre et autres matériaux de maçonnerie.

**NE PAS** les utiliser en milieu ambiant humide ou en présence de liquides ou de gaz inflammables.

Votre marteau percuteur de démolition robuste est un outil électrique professionnel.

**NE PAS** le laisser à la portée des enfants. Une supervision est nécessaire auprès de tout utilisateur non expérimenté.

### Fonction de démarrage en douceur

La fonction de démarrage en douceur accroît graduellement le rythme d'impact de façon plus lente. Ainsi, le burin ou la pointe ne rebondit pas sur la maçonnerie à l'amorce.

### Correcteur antivibrations actif

Le correcteur antivibrations actif neutralise la vibration du mécanisme du marteau, provoquée par le rebond. Il permet

## FRANÇAIS

de réduire le taux de vibrations au niveau des mains et des bras pour une utilisation confortable plus prolongée. Il prolonge également la durée de vie de l'appareil.

### ASSEMBLAGE ET AJUSTEMENTS

**AVERTISSEMENT :** pour réduire le risque de blessures graves, éteindre l'outil et retirer le débrancher avant d'effectuer tout réglage et d'enlever ou d'installer tout accessoire. Un démarrage accidentel peut provoquer des blessures.

### Poignée auxiliaire de style boucle/anse (Fig. B)

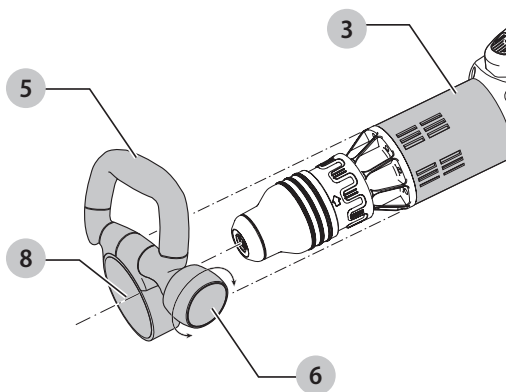
**AVERTISSEMENT :** afin de réduire le risque de blessure corporelle, utilisez **TOUJOURS** l'outil la poignée auxiliaire de style boucle/anse bien installée. Ne pas le faire peut entraîner le glissement de la poignée auxiliaire de style boucle/anse durant le fonctionnement de l'outil et une perte de contrôle subséquente. Tenez l'outil avec les deux mains pour maximiser le contrôle.

La poignée auxiliaire de style boucle/anse **5** se fixe sur le devant du boîtier d'engrenages et peut être tournée de 360° afin de permettre une utilisation avec la main droite ou la main gauche.

### Montage de la poignée auxiliaire de style boucle/anse (Fig. B)

1. Élargissez l'ouverture de la bague **8** de la poignée de style boucle/anse **5** en tournant la vis de montage de la poignée **6** dans le sens contraire des aiguilles d'une montre.
2. Glissez l'assemblage dans le nez de l'outil à travers l'ouverture de la bague **8** et sur le collier **3** d'indexation de position du ciseau, passé le porte-ciseau et la chemise.
3. Tournez la poignée auxiliaire de style boucle/anse dans la position désirée.
4. Verrouillez la poignée auxiliaire de style boucle/anse en place en serrant solidement la vis pour le montage de la poignée **6** en la tournant le sens des aiguilles d'une montre afin que l'assemblage ne tourne pas.

Fig. B



### Ciseaux et porte-ciseau

**AVERTISSEMENT :** danger de brûlure. Portez **TOUJOURS** des gants lorsque vous changez les ciseaux. Les pièces de métal accessibles sur l'outil et les ciseaux peuvent devenir extrêmement chaudes durant l'utilisation. De petits copeaux du matériau brisé peuvent abîmer les mains nues.

**AVERTISSEMENT :** ne pas tenter de serrez ou desserrer les ciseaux de perçage (ou tout autre accessoire) en saisissant la partie avant du mandrin et mettant l'outil en marche. Sinon, des dommages au mandrin ou des blessures pourraient se produire.

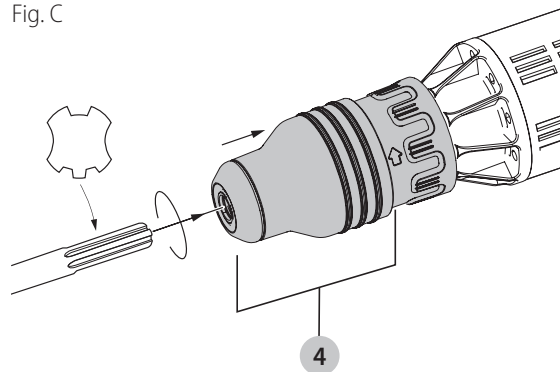
Le marteau à démolition peut être équipé de différents ciseaux selon l'application désirée. **Utilisez seulement des marteaux à piquer.**

### Insérer et retirer les ciseaux SDS MAX (Fig. C)

**REMARQUE :** Les accessoires et les pièces utilisés doivent être lubrifiés avant leur montage sur l'outil SDS MAX.

1. Insérez le ciseau dans la chemise porte-accessoire **4** et appliquez de la pression vers le bas en tournant afin de sécuriser le ciseau en place. La tige du ciseau doit être propre.
2. Assurez-vous que le ciseau est bien inséré.  
**REMARQUE :** Le ciseau doit se déplacer de plusieurs centimètres à l'intérieur et à l'extérieur de la chemise porte-accessoire **4** lorsqu'il est bien inséré.

Fig. C



3. Pour retirer le ciseau, reculez la chemise porte-accessoire **4** et sortez le ciseau.

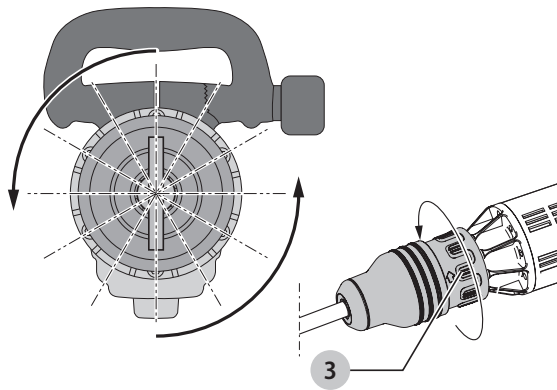
### Indexation de la position du burin (Fig. D)

Il est possible d'indexer et de verrouiller le burin en 12 positions différentes.

1. Insérer le burin comme décrit ci-dessus.
2. Faire tourner la bague de positionnement du burin **3** dans le sens de la flèche jusqu'à ce que le burin soit dans la position voulue.

**REMARQUE :** Après avoir trouvé la position désirée, manipulez légèrement le couteau de l'avant vers l'arrière afin d'assurer que le ciseau est bien inséré.

Fig. D



## Balise prête à utiliser de l'outil DEWALT (Fig. A)

### Accessoire optionnel

Votre marteau vient avec des trous 7 et des fixations de montage pour l'installation de la balise de l'outil DEWALT. Vous aurez besoin d'une pointe de tournevis T20 pour installer la balise. La balise de l'outil DEWALT est conçue pour suivre et localiser les outils électriques, l'équipement et les machines professionnels utilisant l'application DEWALT Tool Connect™. Pour une installation appropriée balise de l'outil DEWALT, consultez le guide de la balise de l'outil DEWALT.

### UTILISATION

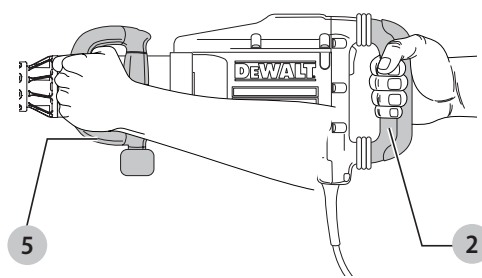
- ⚠ AVERTISSEMENT : pour réduire le risque de blessures graves, éteindre l'outil et retirer le débrancher avant d'effectuer tout réglage et d'enlever ou d'installer tout accessoire.** Un démarrage accidentel peut provoquer des blessures.
- ⚠ AVERTISSEMENT : toujours respecter les consignes de sécurité et les règles applicables.**
- ⚠ AVERTISSEMENT : connaître l'emplacement de toute tuyauterie et de câblage électrique.**
- ⚠ AVERTISSEMENT : appliquer une pression de près de 20–30 kg (44–66 lb) sur l'outil.** Une force excessive n'accélère pas le burinage. Elle réduit le rendement de l'outil et pourrait en réduire sa durée de vie.

### Position correcte des mains (Fig. E)

- ⚠ AVERTISSEMENT : pour réduire tout risque de dommages corporels graves, adopter SYSTÉMATIQUEMENT la position des mains illustrée.**
- ⚠ AVERTISSEMENT : pour réduire tout risque de dommages corporels graves, maintenir SYSTÉMATIQUEMENT l'outil fermement pour anticiper toute réaction soudaine.**

Une position des mains adéquate nécessite une main sur la poignée auxiliaire de style boucle/anse 5 et l'autre main sur la poignée principale 2.

Fig. E



### Mise en marche et arrêt (Fig. A)

Pour mettre l'outil en marche, régler l'interrupteur marche/arrêt 1 à la position 1. Pour l'arrêter, régler l'interrupteur marche/arrêt 1 à la position 0.

### Démolition, gravure et canalisation (Fig. A)

- ⚠ AVERTISSEMENT : s'assurer que le bord tranchant ne présente pas de décoloration provoquée par une pression excessive.** Cela pourrait compromettre la solidité de l'accessoire.

Plusieurs types de burins sont offerts en option.

1. Sélectionner le bon burin. Le nettoyer et en graisser l'emmanchement.
2. Insérer le burin et vérifier s'il est bien verrouillé.
3. Placer et ajuster la poignée auxiliaire de style boucle/anse 5 et s'assurer qu'elle est bien serrée.
4. Maintenir l'outil avec les deux mains sur les poignées de l'outil et actionner le commutateur de marche. L'outil fonctionne maintenant en mode continu.
5. Toujours arrêter l'outil lorsque le travail est terminé et avant de le débrancher.

### MAINTENANCE

- ⚠ AVERTISSEMENT : pour réduire le risque de blessures graves, éteindre l'outil et retirer le débrancher avant d'effectuer tout réglage et d'enlever ou d'installer tout accessoire.** Un démarrage accidentel peut provoquer des blessures.

### Graissage

L'outil électrique n'exige aucun graissage supplémentaire.

### Nettoyage

- ⚠ AVERTISSEMENT : enlever les saletés et la poussière hors des événements au moyen d'air comprimé propre et sec, au moins une fois par semaine.** Pour minimiser le risque de blessure aux yeux, toujours porter une protection oculaire conforme à la norme ANSI Z87.1 lors du nettoyage.
- ⚠ AVERTISSEMENT : ne jamais utiliser de solvants ni d'autres produits chimiques puissants pour nettoyer les pièces non métalliques de l'outil.** Ces produits chimiques peuvent affaiblir les matériaux de plastique utilisés dans ces pièces. Utiliser un chiffon humecté uniquement d'eau et de savon doux. Ne jamais laisser de liquide pénétrer dans l'outil et n'immerger aucune partie de l'outil dans un liquide.

## Accessoires



**AVERTISSEMENT :** *puisque les accessoires autres que ceux offerts par DEWALT n'ont pas été testés avec ce produit, leur utilisation pourrait s'avérer dangereuse. Pour réduire le risque de blessures, utiliser exclusivement les accessoires DEWALT recommandés avec le présent produit.*

Les accessoires recommandés pour cet outil sont vendus séparément au centre de service de votre région. Pour obtenir de l'aide concernant l'achat d'un accessoire, communiquer avec DEWALT Industrial Tool Co., 701 East Joppa Road, Towson, MD 21286 aux États-Unis; composer le 1 800 433-9258 (1 800 4-DEWALT) ou visiter notre site Web : [www.dewalt.com](http://www.dewalt.com).

## Réparations



**AVERTISSEMENT :** *pour assurer la SÉCURITÉ et la FIABILITÉ du produit, les réparations, l'entretien et les réglages doivent être réalisés (cela comprend l'inspection et le remplacement du balai, le cas échéant) par un centre de réparation en usine DEWALT ou un centre de réparation agréé DEWALT. Toujours utiliser des pièces de rechange identiques.*

## Registre en ligne

Merci pour votre achat. Enregistrez dès maintenant votre produit:

- **RÉPARATIONS SOUS GARANTIE:** cette carte remplie vous permettra de vous prévaloir du service de réparations sous garantie de façon plus efficace dans le cas d'un problème avec le produit.
- **CONFIRMATION DE PROPRIÉTÉ:** en cas de perte provoquée par un incendie, une inondation ou un vol, cette preuve de propriété vous servira de preuve auprès de votre compagnie d'assurances.
- **SÉCURITÉ:** l'enregistrement de votre produit nous permettra de communiquer avec vous dans l'éventualité peu probable de l'envoi d'un avis de sécurité régi par la loi fédérale américaine de la protection des consommateurs.

Registre en ligne à [www.dewalt.com/register](http://www.dewalt.com/register).

## Garantie limitée de trois ans

DEWALT réparera, sans frais, tout produit défectueux causé par un défaut de matériel ou de fabrication pour une période de trois ans à compter de la date d'achat. La présente garantie ne couvre pas les pièces dont la défectuosité a été causée par une usure normale ou l'usage abusif de l'outil. Pour obtenir de plus amples renseignements sur les pièces ou les réparations couvertes par la présente garantie, visiter le site [www.dewalt.com](http://www.dewalt.com) ou composer le 1 800 433-9258 (1 800 4-DEWALT). CETTE GARANTIE LIMITÉE REMPLACE TOUTE AUTRE GARANTIE, Y COMPRIS TOUTE GARANTIE IMPLICITE DE QUALITÉ MARCHANDE OU DE CONFORMITÉ À DES FINS PARTICULIÈRES, ET EXCLUT TOUT DOMMAGE ACCESSOIRE OU INDIRECT. Certains états n'autorisent aucune limitation quant à la durée d'une garantie implicite ni aucune

exclusion ou limitation de garantie contre tout préjudice accessoire ou indirect, aussi il se peut que ces exclusions ne vous soient pas applicables. Cette garantie confère des droits légaux particuliers à l'acheteur, mais celui-ci pourrait aussi bénéficier d'autres droits variant d'un territoire à l'autre.

En plus de la présente garantie, les outils DEWALT sont couverts par notre :

### ENTRETIEN GRATUIT DURANT 2 ANS

DEWALT entretiendra l'outil et remplacera ses pièces usées par utilisation normale sans frais à n'importe quel temps durant les deux premières années après l'achat.

### GARANTIE DE REMBOURSEMENT DE 90 JOURS

Si l'acheteur n'est pas entièrement satisfait, pour quelque raison que ce soit, du rendement de l'outil électrique, du laser ou de la cloueuse DEWALT, celui-ci peut le retourner, accompagné d'un reçu, dans les 90 jours à compter de la date d'achat pour obtenir un remboursement intégral, sans aucun problème.

**AMÉRIQUE LATINE :** cette garantie ne s'applique aux produits vendus en Amérique latine. Pour ceux-ci, veuillez consulter les informations relatives à la garantie spécifique présente dans l'emballage, appeler l'entreprise locale ou consulter le site Web pour les informations relatives à cette garantie.

### REMPACEMENT GRATUIT DES ÉTIQUETTES

**D'AVERTISSEMENT :** si les étiquettes d'avertissement deviennent illisibles ou sont manquantes, composer le 1 800 433-9258 (1 800 4-DEWALT) pour en obtenir le remplacement gratuit.



## GUIDE DE DÉPANNAGE

### ASSUREZ-VOUS DE SUIVRE LES RÈGLES DE SÉCURITÉ ET LES INSTRUCTIONS

Pour obtenir de l'aide au sujet du produit, visitez notre site Web au [www.dewalt.com](http://www.dewalt.com) pour une liste des centres de services ou téléphonez DEWALT au 1-800-4-DEWALT (1-800-433-9258).

PROBLÈME	CAUSE POSSIBLE	SOLUTION
L'outil ne démarre pas.	La rallonge et/ou la fiche sont défectueuses.	Faites vérifier la rallonge et/ou la fiche par un électricien qualifié et remplacez-la au besoin.
	Les composantes internes sont trop chaudes.	Laissez l'outil se refroidir.
	Les brosses sont usées.	Faites remplacer vos brosses par un centre de services DEWALT autorisé.
Puissance réduite.	La rallonge est trop longue et/ou son calibre n'est pas approprié.	Utilisez une rallonge ayant une longueur approuvée et/ou un calibre approprié.
	La tension provenant de l'alimentation électrique n'est pas appropriée.	Branchez le marteau à une alimentation électrique appropriée.
Le ciseau ne peut pas être libéré.	Le mandrin n'est pas entièrement reculé.	Reculez le mandrin aussi loin qu'il peut aller et retirez le ciseau. Consultez <b><i>Insérer et retirer les ciseaux SDS MAX.</i></b>

## Definiciones: Símbolos y palabras de alerta de seguridad

Este manual de instrucciones utiliza los siguientes símbolos y palabras de alerta de seguridad para alertarle de situaciones peligrosas y del riesgo de lesiones corporales o daños materiales.



**PELIGRO:** Indica una situación de peligro inminente que, si no se evita, provocará **la muerte o lesiones graves**.



**ADVERTENCIA:** Indica una situación de peligro potencial que, si no se evita, **podría provocar la muerte o lesiones graves**.



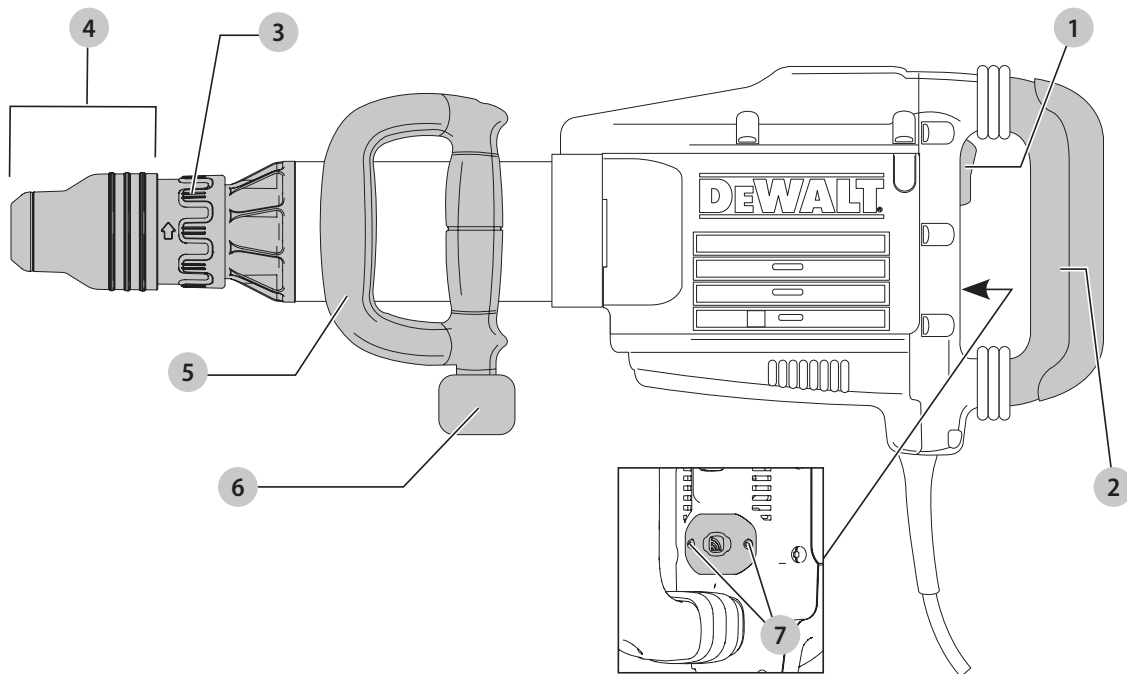
**ATENCIÓN:** Indica una situación de peligro potencial que, si no se evita, **posiblemente provocaría lesiones leves o moderadas**.



(Utilizado sin palabras) indica un mensaje de seguridad relacionado.

**AVISO:** Se refiere a una práctica **no relacionada a lesiones corporales** que de no evitarse **puede resultar en daños a la propiedad**.

Fig. A



- 1 Interruptor de encendido/apagado
- 2 Mango trasero
- 3 Anillo indicador de la posición del cincel
- 4 Manguito/soporte de la herramienta
- 5 Manija auxiliar estilo travesaño/lazo
- 6 Tornillo para montaje de manija
- 7 Orificios de montaje de etiqueta de herramienta



**¡ADVERTENCIA!** Lea todas las advertencias de seguridad e instrucciones. El incumplimiento de las advertencias e instrucciones puede provocar descargas eléctricas, incendios o lesiones graves.



**ADVERTENCIA:** Para reducir el riesgo de lesiones, lea el manual de instrucciones.

Si tiene alguna duda o algún comentario sobre ésta u otra herramienta DEWALT, llámenos al número gratuito: 1-800-4-DEWALT (1-800-433-9258).

## ADVERTENCIAS GENERALES DE SEGURIDAD PARA HERRAMIENTAS ELÉCTRICAS



**¡ADVERTENCIA!** Lea todas las advertencias de seguridad e instrucciones. El incumplimiento de las advertencias e instrucciones puede provocar descargas eléctricas, incendios o lesiones graves.

### CONSERVE TODAS LAS ADVERTENCIAS E INSTRUCCIONES PARA FUTURAS CONSULTAS

El término "herramienta eléctrica" incluido en las advertencias hace referencia a las herramientas eléctricas operadas con corriente (con cable eléctrico) o a las herramientas eléctricas operadas con baterías (inalámbricas).

#### 1) Seguridad en el Área de Trabajo

- Mantenga el área de trabajo limpia y bien iluminada.** Las áreas abarrotadas y oscuras propician accidentes.
- No opere las herramientas eléctricas en atmósferas explosivas, como ambientes donde haya polvo, gases o líquidos inflamables.** Las herramientas eléctricas originan chispas que pueden encender el polvo o los vapores.
- Mantenga alejados a los niños y a los espectadores de la herramienta eléctrica en funcionamiento.** Las distracciones pueden provocar la pérdida de control.

#### 2) Seguridad Eléctrica

- Los enchufes de la herramienta eléctrica deben adaptarse al tomacorriente. Nunca modifique el enchufe de ninguna manera. No utilice ningún enchufe adaptador con herramientas eléctricas con conexión a tierra.** Los enchufes no modificados y que se adaptan a los tomacorrientes reducirán el riesgo de descarga eléctrica.
- Evite el contacto corporal con superficies con descargas a tierra como, por ejemplo, tuberías, radiadores, cocinas eléctricas y refrigeradores.** Existe mayor riesgo de descarga eléctrica si su cuerpo está puesto a tierra.
- No exponga las herramientas eléctricas a la lluvia o a condiciones de humedad.** Si entra agua a una herramienta eléctrica, aumentará el riesgo de descarga eléctrica.
- No maltrate el cable. Nunca utilice el cable para transportar, tirar o desenchufar la herramienta eléctrica. Mantenga el cable alejado del calor, el aceite, los bordes filosos y las piezas móviles.** Los cables dañados o enredados aumentan el riesgo de descarga eléctrica.
- Al operar una herramienta eléctrica en el exterior, utilice un cable prolongador adecuado para tal uso.** Utilice un cable adecuado para uso en exteriores a fin de reducir el riesgo de descarga eléctrica.
- Si el uso de una herramienta eléctrica en un lugar húmedo es imposible de evitar, utilice**

**un suministro protegido con un interruptor de circuito por falla a tierra (GFCI).** El uso de un GFCI reduce el riesgo de descargas eléctricas.

#### 3) Seguridad Personal

- Permanezca alerta, controle lo que está haciendo y utilice el sentido común cuando emplee una herramienta eléctrica. No utilice una herramienta eléctrica si está cansado o bajo el efecto de drogas, alcohol o medicamentos.** Un momento de descuido mientras se opera una herramienta eléctrica puede provocar lesiones personales graves.
- Utilice equipos de protección personal. Siempre utilice protección para los ojos.** En las condiciones adecuadas, el uso de equipos de protección, como máscaras para polvo, calzado de seguridad antideslizante, cascos o protección auditiva, reducirá las lesiones personales.
- Evite el encendido por accidente. Asegúrese de que el interruptor esté en la posición de apagado antes de conectarlo a la fuente de energía o paquete de baterías, o antes de levantar o transportar la herramienta.** Transportar herramientas eléctricas con el dedo apoyado en el interruptor o enchufar herramientas eléctricas con el interruptor en la posición de encendido puede propiciar accidentes.
- Retire la clavija de ajuste o la llave de tuercas antes de encender la herramienta eléctrica.** Una llave de tuercas o una clavija de ajuste que quede conectada a una pieza giratoria de la herramienta eléctrica puede provocar lesiones personales.
- No se estire. Conserve el equilibrio y párese adecuadamente en todo momento.** Esto permite un mejor control de la herramienta eléctrica en situaciones inesperadas.
- Use la vestimenta adecuada. No use ropas holgadas ni joyas. Mantenga el cabello, la ropa y los guantes alejados de las piezas en movimiento.** Las ropas holgadas, las joyas o el cabello largo pueden quedar atrapados en las piezas en movimiento.
- Si se suministran dispositivos para la conexión de accesorios con fines de recolección y extracción de polvo, asegúrese de que estén conectados y que se utilicen correctamente.** El uso de dispositivos de recolección de polvo puede reducir los peligros relacionados con el polvo.

#### 4) Uso y Mantenimiento de la Herramienta Eléctrica

- No fuerce la herramienta eléctrica. Utilice la herramienta eléctrica correcta para el trabajo que realizará.** Si se la utiliza a la velocidad para la que fue diseñada, la herramienta eléctrica correcta permite trabajar mejor y de manera más segura.
- No utilice la herramienta eléctrica si no puede encenderla o apagarla con el interruptor.** Toda

herramienta eléctrica que no pueda ser controlada mediante el interruptor es peligrosa y debe repararse.

- c) **Desconecte el enchufe de la fuente de energía o el paquete de baterías de la herramienta eléctrica antes de realizar ajustes, cambiar accesorios o almacenar la herramienta eléctrica.**

Estas medidas de seguridad preventivas reducen el riesgo de encender la herramienta eléctrica en forma accidental.

- d) **Guarde la herramienta eléctrica que no esté en uso fuera del alcance de los niños y no permita que otras personas no familiarizadas con ella o con estas instrucciones operen la herramienta.**

Las herramientas eléctricas son peligrosas si son operadas por usuarios no capacitados.

- e) **Realice el mantenimiento de las herramientas eléctricas. Revise que no haya piezas en movimiento mal alineadas o trabadas, piezas rotas o cualquier otra situación que pueda afectar el funcionamiento de la herramienta eléctrica. Si encuentra daños, haga reparar la herramienta eléctrica antes de utilizarla.**

Se producen muchos accidentes a causa de las herramientas eléctricas que carecen de un mantenimiento adecuado.

- f) **Mantenga las herramientas de corte afiladas y limpias.** Las herramientas de corte con mantenimiento adecuado y con los bordes de corte afilados son menos propensas a trabarse y son más fáciles de controlar.

- g) **Utilice la herramienta eléctrica, los accesorios y las brocas de la herramienta, etc. de acuerdo con estas instrucciones y teniendo en cuenta las condiciones de trabajo y el trabajo que debe realizarse.** El uso de la herramienta eléctrica para operaciones diferentes de aquéllas para las que fue diseñada podría originar una situación peligrosa.

## 5) Mantenimiento

- a) **Solicite a una persona calificada en reparaciones que realice el mantenimiento de su herramienta eléctrica y que sólo utilice piezas de repuesto idénticas.** Esto garantizará la seguridad de la herramienta eléctrica.

## Instrucciones de seguridad adicionales para martillos de demolición

- **Use protectores auditivos.** La exposición al ruido puede ocasionar la pérdida de la audición.
- **Use los mangos auxiliares que se suministran con la herramienta.** La pérdida del control podría ocasionar lesiones personales.
- **Sostenga la herramienta eléctrica por sus superficies de empuñadura aisladas cuando realice una operación en la cual el accesorio de corte pudiera entrar en contacto con alambrado oculto o con su propio cable.** Si el accesorio de corte entra en contacto con un cable "vivo" puede hacer que las partes metálicas

de la herramienta eléctrica queden "vivas" y causar una descarga eléctrica al operador.

- **Asegúrese de que el material por taladrar no contenga cableados o tuberías de gas ocultos, cuyas ubicaciones deben haber sido constatadas con las empresas de servicios públicos correspondientes.**
- **Sujete la herramienta firmemente en todo momento.** No intente hacer funcionar esta herramienta sin sostenerla con ambas manos. Si intenta hacerla funcionar con una sola mano, podría perder el control de la herramienta. También podría ser peligroso perforar o encontrar materiales duros, como barras de refuerzo. Ajuste firmemente el mango lateral antes de utilizar la herramienta.
- **Asegúrese también de que el cincel esté bien colocado.**
- **En condiciones climáticas frías o cuando la herramienta no se ha utilizado durante un período largo, deje que funcione sin carga durante algunos minutos antes de usarla.**
- **Cuando trabaje por encima del nivel del suelo, asegúrese de que el área inferior esté libre.**
- **No toque el cincel ni las piezas cercanas a este inmediatamente después de usar la herramienta, ya que podrían estar extremadamente calientes y causarle quemaduras en la piel.**
- **Dirija siempre el cable de alimentación hacia la parte trasera, lejos del cincel.**
- **No haga funcionar esta herramienta durante períodos prolongados.** La vibración que produce la acción de percusión puede ser perjudicial para las manos y los brazos. Use guantes que provean amortiguación adicional, y tome descansos frecuentes para limitar la exposición.

## Instrucción Adicional de Seguridad



**ADVERTENCIA:** Use **SIEMPRE** lentes de seguridad.

Los anteojos de diario **NO SON** lentes de seguridad. Utilice además una cubrebocas o mascarilla antipolvo si la operación de corte genera demasiado polvo. **SIEMPRE LLEVE EQUIPO DE SEGURIDAD CERTIFICADO:**

- protección ocular ANSI Z87.1 (CAN/CSA Z94.3),
- protección auditiva ANSI S12.6 (S3.19),
- protección respiratoria NIOSH/OSHA/MSHA.



**ADVERTENCIA:** Algunas partículas de polvo generadas al lijar, serrar, esmerilar y taladrar con herramientas eléctricas, así como al realizar otras actividades de construcción, contienen químicos que el Estado de California sabe que pueden producir cáncer, defectos congénitos u otras afecciones reproductivas. Ejemplos de estos químicos son:

- plomo de algunas pinturas en base a plomo,
- polvo de sílice proveniente de ladrillos y cemento y otros productos de albañilería, y
- arsénico y cromo provenientes de madera tratada químicamente.

Su riesgo de exposición a estos químicos varía, dependiendo de la frecuencia con la cual realiza usted este tipo de trabajo. Para reducir su exposición a estas sustancias químicas: trabaje en una zona bien ventilada y llevando equipos de seguridad aprobados, como mascarillas antipolvo especialmente diseñadas para filtrar partículas microscópicas.

- **Evite el contacto prolongado con polvo generado por el lijado, aserrado, pulido, taladrado y otras actividades de construcción. Vista ropas protectoras y lave las áreas de la piel expuestas con agua y jabón.** Si permite que el polvo se introduzca en la boca u ojos o quede sobre la piel, puede favorecer la absorción de productos químicos peligrosos.



**ADVERTENCIA:** La utilización de esta herramienta puede generar polvo o dispersarlo, lo que podría causar daños graves y permanentes al sistema respiratorio, así como otras lesiones. Siempre use protección respiratoria aprobada por NIOSH (Instituto Nacional de Seguridad y Salud en el Trabajo) u OSHA (Administración de Seguridad y Salud en el Trabajo) apropiada para la exposición al polvo. Dirija las partículas en dirección contraria a la cara y el cuerpo.



**ADVERTENCIA:** Siempre lleve la debida protección auditiva personal en conformidad con ANSI S12.6 (S3.19) durante el uso de esta herramienta. Bajo algunas condiciones y duraciones de uso, el ruido producido por este producto puede contribuir a la pérdida auditiva.



**ATENCIÓN:** Cuando no esté en uso, guarde la herramienta apoyada en un costado sobre una superficie estable, donde no interrumpa el paso o provoque una caída.

- **Los orificios de ventilación suelen cubrir piezas en movimiento, por lo que también se deben evitar.** Las piezas en movimiento pueden atrapar prendas de vestir sueltas, joyas o el cabello largo.
- **Los hilos del alargador deben ser de un calibre apropiado (AWG o American Wire Gauge) para su seguridad.** Mientras menor sea el calibre del hilo, mayor la capacidad del cable. Es decir, un hilo calibre 16 tiene mayor capacidad que uno de 18. Un cable de un calibre insuficiente causará una caída en la tensión de la línea dando por resultado una pérdida de energía y sobrecalentamiento. Cuando se utilice más de un alargador para completar el largo total, asegúrese que los hilos de cada alargador tengan el calibre mínimo. La tabla siguiente muestra el tamaño correcto a utilizar, dependiendo de la longitud del cable y del amperaje nominal de la placa de identificación. Si tiene dudas sobre cuál calibre usar, use un calibre mayor. Cuanto menor sea el número del calibre, más resistente será el cable.

**Calibre mínimo de conjuntos de cables**

Voltios	Longitud total del cable en pies (metros)				
	120 V	25 (7,6)	50 (15,2)	100 (30,5)	150 (45,7)
240 V	50 (15,2)	100 (30,5)	200 (61,0)	300 (91,4)	
Amperaje nominal		AWG			
Más de	Más de				
0	6	18	16	16	14
6	10	18	16	14	12
10	12	16	16	14	12
12	16	14	12	Not Recommended	

La etiqueta de su herramienta puede incluir los siguientes símbolos. A continuación se indican los símbolos y sus definiciones:

- V ..... voltios
- Hz ..... hertz
- min ..... minutos
- or DC..... direct current
- ⊕ ..... Construcción de Clase I (tierra)
- ... /min ..... por minuto
- BPM ..... golpes por minuto
- IPM ..... impactos por minuto
- RPM ..... revoluciones por minuto
- sfpn ..... pies de superficie por minuto
- SPM ..... pasadas por minuto
- A ..... amperios
- W ..... vatios
- ~ or AC ..... corriente alterna
- ⎓ or AC/DC .... corriente alterna o directa
- ⊞ ..... Construcción de Clase II (doble aislamiento)
- n<sub>0</sub> ..... velocidad sin carga
- n ..... velocidad nominal
- ⊖ ..... terminal de conexión a tierra
- ⚠ ..... símbolo de advertencia de seguridad
- ⚠ ..... radiación visible
- ⊞ ..... protección respiratoria
- ⊞ ..... protección ocular
- ⊞ ..... protección auditiva
- ⊞ ..... lea toda la documentación

**GUARDE ESTAS INSTRUCCIONES PARA VOLVER A CONSULTAR EN EL FUTURO**

**Motor**

Asegúrese de que la fuente de energía concuerde con lo que se indica en la placa. Un descenso en el voltaje de más del 10% producirá una pérdida de potencia y sobrecalentamiento. Todas las herramientas DEWALT son probadas en fábrica; si esta herramienta no funciona, verifique el suministro eléctrico.

**COMPONENTES (FIG. A)**



**ADVERTENCIA:** Nunca modifique la herramienta eléctrica, ni tampoco ninguna de sus piezas. Podría producir lesiones corporales o daños.

Consulte la Figura A al principio de este manual para obtener una lista completa de los componentes.

**Uso Debido**

Su martillo de demolición de servicio pesado está diseñado para aplicaciones profesionales de demolición, astillado y percusión en concreto, ladrillo, piedra y otros materiales de mampostería.

## ESPAÑOL

**NO** utilice la herramienta en condiciones de humedad o en presencia de líquidos o gases inflamables.

Su martillo de demolición de servicio pesado es una herramienta eléctrica profesional.

**NO** permita que los niños toquen la herramienta. Si el operador no tiene experiencia operando esta herramienta, su uso deberá ser supervisado.

### Función de arranque suave

La función de arranque suave permite que la velocidad de impacto se acumule más lentamente, lo que evita que el cincel o la punta "rebote" en la mampostería durante el arranque.

### Control activo de vibración

El control activo de vibración neutraliza la vibración de rebote del mecanismo de percusión. Al reducir la vibración de manos y brazos, permite un uso más cómodo por períodos más prolongados y extiende la vida útil de la unidad.

### MONTAJE Y AJUSTES

**!** **ADVERTENCIA:** Para reducir el riesgo de lesiones personales graves, apague la herramienta y desconéctela de la fuente de alimentación antes de realizar ajustes o de retirar/instalar dispositivos o accesorios. Un arranque accidental podría causar lesiones.

### Manija auxiliar estilo travesaño/lazo (Fig. B)

**!** **ADVERTENCIA:** Para reducir el riesgo de lesiones personales, **SIEMPRE** opere la herramienta con la manija auxiliar estilo travesaño/lazo instalada correctamente. De lo contrario, la manija auxiliar de estilo travesaño/lazo se deslizará durante la operación de la herramienta y la consiguiente pérdida de control. Sostenga la herramienta con ambas manos para maximizar el control.

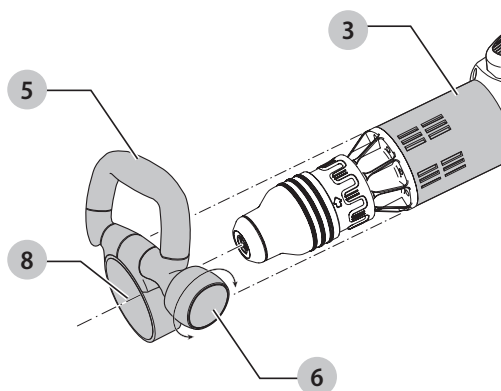
La manija auxiliar estilo travesaño/lazo **5** se sujeta al frente de la caja de engranajes y se puede girar 360° para permitir el uso con la mano derecha o izquierda.

### Montaje de la manija auxiliar estilo travesaño/lazo (Fig. B)

1. Ensanche la abertura del anillo **8** de la manija auxiliar estilo travesaño/lazo **5** girando el tornillo para el montaje de la manija **6** en el sentido contrario a las manecillas del reloj.
2. Deslice el ensamble sobre la punta de la herramienta a través de la abertura del anillo **8** y sobre el collar de índice de posición del cincel **3**, después del soporte del cincel y la camisa.
3. Gire la manija auxiliar estilo travesaño/lazo a la posición deseada.
4. Bloquee la manija auxiliar estilo travesaño/lazo en su lugar apretando firmemente el tornillo para el montaje

de la manija **6** girándolo en el sentido de las manecillas del reloj de forma que el ensamble no gire.

Fig. B



### Cinceles y soporte de cincel

**!** **ADVERTENCIA:** Riesgo de quemadura. **SIEMPRE** use guantes cuando cambie los cinceles. Las partes metálicas accesibles en la herramienta y los cinceles pueden calentarse mucho durante la operación. Pequeños pedazos de material roto pueden dañar las manos desnudas.

**!** **ADVERTENCIA:** No intente apretar ni aflojar cinceles de broca (ni ningún otro accesorio) sujetando la parte delantera del mandril y encendiendo la herramienta. Pueden ocurrir daños en el mandril y lesiones personales.

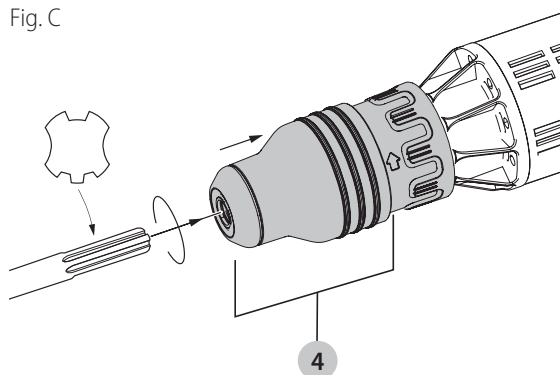
El martillo de demolición puede estar equipado con varios cinceles dependiendo de la aplicación deseada. **Use cinceles afilados solamente.**

### Inserción y eliminación de cinceles SDS MAX (Fig. C)

**NOTA:** Los accesorios y conexiones utilizados deben lubricarse regularmente alrededor del accesorio SDS MAX antes de la instalación.

1. Inserte el cincel en el soporte/camisa de la herramienta **4** y aplique presión descendente mientras gira para asegurar el cincel en su lugar. La espiga del cincel debe estar limpia.
2. Asegúrese que el cincel esté correctamente conectado. **NOTA:** El cincel se necesita mover varios centímetros hacia adentro y afuera del soporte/camisa de la herramienta **4** cuando está conectado adecuadamente.

Fig. C



3. Para retirar el cincel, jale hacia atrás el soporte/camisa de la herramienta **4** y saque el cincel.

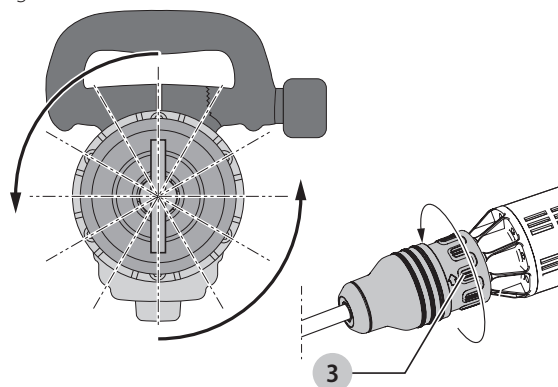
### Ajuste de la posición del cincel (Fig. D)

El cincel se puede ajustar y bloquear en 12 posiciones diferentes.

1. Inserte el cincel según la descripción anterior.
2. Gire el anillo de posición del cincel **3** en el sentido de la flecha hasta que el cincel alcance la posición deseada.

**NOTA:** Después de encontrar la posición deseada, maniobre ligeramente el cincel hacia adelante y hacia atrás para asegurarse que el cincel esté correctamente conectado.

Fig. D



### Etiqueta de herramienta DEWALT lista (Fig. A)

#### Accesorio opcional

Su martillo viene con orificios de montaje **7** y sujetadores para instalar una etiqueta de herramienta DEWALT. Necesitará una punta de broca T20 para instalar la etiqueta. La Etiqueta de herramienta DEWALT está diseñada para rastrear y ubicar herramientas, equipos y máquinas eléctricas profesionales con la aplicación DEWALT Tool Connect™. Para la instalación correcta de la etiqueta de herramienta DEWALT, consulte el manual de Etiqueta de herramienta DEWALT.

#### OPERACIÓN

**ADVERTENCIA:** Para reducir el riesgo de lesiones personales graves, apague la herramienta y desconéctela de la fuente de alimentación antes de realizar ajustes o de retirar/instalar

**dispositivos o accesorios.** Un arranque accidental podría causar lesiones.

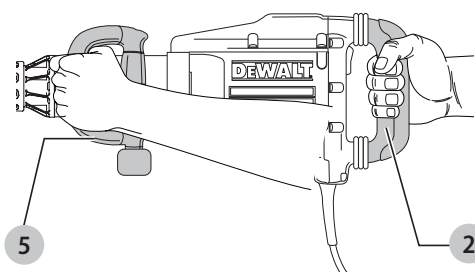
- ADVERTENCIA:** Cumpla siempre las instrucciones de seguridad y las normas aplicables.
- ADVERTENCIA:** Conozca la ubicación de las tuberías y el cableado eléctrico.
- ADVERTENCIA:** Aplique una presión aproximada de 20–30 kg (44–66 lb) a la herramienta. La fuerza excesiva no acelera el cincelado sino que disminuye el rendimiento de la herramienta y puede acortar su vida útil.

### Posición adecuada de las manos (Fig. E)

- ADVERTENCIA:** Para reducir el riesgo de lesión personal grave, tenga **SIEMPRE** las manos en una posición adecuada como se muestra.
- ADVERTENCIA:** Para reducir el riesgo de lesión personal grave, sujete **SIEMPRE** bien en caso de que haya una reacción repentina.

La posición de manos adecuada requiere una mano en la manija auxiliar estilo travesaño/lazo **5** con la otra mano sobre la manija principal **2**.

Fig. E



### Encendido y apagado (Fig. A)

Para encender la herramienta, coloque el interruptor de encendido/apagado **1** en la posición 1. Para apagarla, coloque el interruptor de encendido/apagado **1** en la posición 0.

### Demolición, grabado y acanalado (Fig. A)

**ADVERTENCIA:** Asegúrese de que el borde de corte no esté decolorado debido a la presión excesiva. Esto puede disminuir la dureza del accesorio.

Como opción, dispone de diversos tipos de cincelos.

1. Seleccione el cincel adecuado. Limpie y engrase el vástago.
2. Inserte el cincel y verifique que esté bien ajustado.
3. Coloque y ajuste la manija auxiliar estilo travesaño/lazo **5** y asegúrese que esté apretada firmemente.
4. Sujete la herramienta tanto con la manija principal y la manija auxiliar estilo travesaño/lazo y enciéndala. La herramienta funciona en modo continuo.
5. Cuando termine el trabajo, apague siempre la herramienta antes de desenchufarla.

## MANTENIMIENTO



**ADVERTENCIA:** Para reducir el riesgo de lesiones personales graves, apague la herramienta y desconéctela de la fuente de alimentación antes de realizar ajustes o de retirar/instalar dispositivos o accesorios. Un arranque accidental podría causar lesiones.

## Lubricación

Esta herramienta eléctrica no requiere lubricación adicional.

## Limpieza



**ADVERTENCIA:** Sopla la suciedad y el polvo de todos los conductos de ventilación con aire seco, al menos una vez por semana. Para reducir el riesgo de lesiones, utilice siempre protección para los ojos aprobada ANSI Z87.1 al realizar esta tarea.



**ADVERTENCIA:** Nunca utilice solventes ni otros químicos abrasivos para limpiar las piezas no metálicas de la herramienta. Estos productos químicos pueden debilitar los materiales plásticos utilizados en estas piezas. Utilice un paño humedecido sólo con agua y jabón neutro. Nunca permita que penetre líquido dentro de la herramienta ni sumerja ninguna de las piezas en un líquido.

## Accesorios



**ADVERTENCIA:** Debido a que no se han probado con este producto otros accesorios que no sean los que ofrece DEWALT., el uso de dichos accesorios con esta herramienta podría ser peligroso. Para reducir el riesgo de lesiones, con este producto deben usarse sólo los accesorios recomendados por DEWALT.

Los accesorios que se recomiendan para utilizar con la herramienta están disponibles a un costo adicional en su distribuidor local o en un centro de mantenimiento autorizado. Si necesita ayuda para localizar algún accesorio, póngase en contacto con DEWALT Industrial Tool Co., 701 East Joppa Road, Towson, MD 21286, llame al 1-800-4-DEWALT (1-800-433-9258) o visite nuestro sitio web: [www.dewalt.com](http://www.dewalt.com).

## Reparaciones



**ADVERTENCIA:** Para asegurar la SEGURIDAD y la CONFIABILIDAD del producto, las reparaciones, el mantenimiento y los ajustes (inclusive la inspección y el cambio de las escobillas, cuando proceda) deben ser realizados en un centro de mantenimiento en la fábrica DEWALT u en un centro de mantenimiento autorizado DEWALT. Utilice siempre piezas de repuesto idénticas.

**Para reparación y servicio de sus herramientas eléctricas, favor de dirigirse al Centro de Servicio más cercano**

### CULIACAN, SIN

Blvd. Emiliano Zapata 5400-1 Poniente Col. (667) 717 89 99  
San Rafael

### GUADALAJARA, JAL

Av. La Paz #1779 - Col. Americana Sector Juárez (33) 3825 6978

### MEXICO, D.F.

Eje Central Lázaro Cárdenas No. 18 - Local D, Col. Obrera (55) 5588 9377

### MERIDA, YUC

Calle 63 #459-A - Col. Centro (999) 928 5038

### MONTERREY, N.L.

Av. Francisco I. Madero 831 Poniente - Col. Centro (818) 375 23 13

### PUEBLA, PUE

17 Norte #205 - Col. Centro (222) 246 3714

### QUERETARO, QRO

Av. San Roque 274 - Col. San Gregorio (442) 2 17 63 14

### SAN LUIS POTOSI, SLP

Av. Universidad 1525 - Col. San Luis (444) 814 2383

### TORREON, COAH

Blvd. Independencia, 96 Pte. - Col. Centro (871) 716 5265

### VERACRUZ, VER

Prolongación Díaz Mirón #4280 - Col. Remes (229) 921 7016

### VILLAHERMOSA, TAB

Constitución 516-A - Col. Centro (993) 312 5111

#### PARA OTRAS LOCALIDADES:

**Si se encuentra en México, por favor llame al (55) 5326 7100**

**Si se encuentra en U.S., por favor llame al 1-800-433-9258 (1-800 4-DEWALT)**

## Póliza de Garantía

IDENTIFICACIÓN DEL PRODUCTO:

Sello o firma del Distribuidor.

Nombre del producto: \_\_\_\_\_

Mod./Cat.: \_\_\_\_\_

Marca: \_\_\_\_\_

Núm. de serie: \_\_\_\_\_

(Datos para ser llenados por el distribuidor)

Fecha de compra y/o entrega del producto:

\_\_\_\_\_  
Nombre y domicilio del distribuidor donde se adquirió el producto:

\_\_\_\_\_  
Este producto está garantizado por un año a partir de la fecha de entrega, contra cualquier defecto en su funcionamiento, así como en materiales y mano de obra empleados para su fabricación. Nuestra garantía incluye la reparación o reposición del producto y/o componentes sin cargo alguno para el cliente, incluyendo mano de obra, así como los gastos de transportación razonablemente erogados derivados del cumplimiento de este certificado.



Para hacer efectiva esta garantía deberá presentar su herramienta y esta póliza sellada por el establecimiento comercial donde se adquirió el producto, de no contar con ésta, bastará la factura de compra.

### Excepciones

Esta garantía no será válida en los siguientes casos:

- Cuando el producto se hubiese utilizado en condiciones distintas a las normales;
- Cuando el producto no hubiese sido operado de acuerdo con el instructivo de uso que se acompaña;
- Cuando el producto hubiese sido alterado o reparado por personas distintas a las enlistadas al final de este certificado.

Anexo encontrará una relación de sucursales de servicio de fábrica, centros de servicio autorizados y franquiciados en la República Mexicana, donde podrá hacer efectiva su garantía y adquirir partes, refacciones y accesorios originales.

### Registro en línea

Gracias por su compra. Registre su producto ahora para:

- **SERVICIO EN GARANTÍA:** Si completa esta tarjeta, podrá obtener un servicio en garantía más eficiente, en caso de que exista un problema con su producto.
- **CONFIRMATCIÓN DE PROPIEDAD:** En caso de una pérdida que cubra el seguro, como un incendio, una inundación o un robo, el registro de propiedad servirá como comprobante de compra.
- **PARA SU SEGURIDAD:** Si registra el producto, podremos comunicarnos con usted en el caso improbable que se deba enviar una notificación de seguridad conforme a la Federal Consumer Safety Act (Ley Federal de Seguridad de Productos para el Consumidor).

Registro en línea en [www.dewalt.com/register](http://www.dewalt.com/register).

### Garantía limitada por tres años

DEWALT reparará, sin cargo, cualquier falla que surja de defectos en el material o la fabricación del producto, por hasta tres años a contar de la fecha de compra. Esta garantía no cubre fallas de las piezas causadas por su desgaste normal o abuso a la herramienta. Para mayores detalles sobre la cobertura de la garantía e información acerca de reparaciones realizadas bajo garantía, visítenos en [www.dewalt.com](http://www.dewalt.com) o diríjase al centro de servicio más cercano. Esta garantía no aplica a accesorios o a daños causados por reparaciones realizadas o intentadas por terceros. ESTA GARANTÍA LIMITADA SE OTORGA EN VEZ DE TODAS LAS DEMÁS, INCLUIDA LA GARANTÍA IMPLÍCITA DE COMERCIALIZACIÓN Y APTITUD PARA UN FIN PARTICULAR, Y EXCLUYE TODOS LOS DAÑOS INCIDENTALES O CONSECUENTES. Algunos estados no permiten limitaciones sobre la duración de una garantía implícita, o la exclusión o limitación de daños incidentales o consecuentes, así que estas limitaciones pueden no aplicarse a usted. Esta garantía le otorga derechos legales específicos, además de los cuales usted puede tener otros derechos dependiendo del estado o la provincia en que se encuentre.

Además de la garantía, las herramientas DEWALT están cubiertas por:

#### SERVICIO GRATUITO DE 2 AÑOS

DEWALT conservará la herramienta y reemplazará las partes desgastadas causadas por el uso normal, de forma gratuita, en cualquier momento durante los primeros dos años después de la compra.

#### GARANTÍA DE REEMBOLSO DE SU DINERO POR 90 DÍAS

Si no está completamente satisfecho con el desempeño de su máquina herramienta, láser o clavadora DEWALT, cualquiera sea el motivo, podrá devolverlo hasta 90 días de la fecha de compra con su recibo y obtener el reembolso completo de su dinero – sin necesidad de responder a ninguna pregunta.

**AMÉRICA LATINA:** Esta garantía no se aplica a los productos que se venden en América Latina. Para los productos que se venden en América Latina, debe consultar la información de la garantía específica del país que viene en el empaque, llamar a la compañía local o visitar el sitio Web a fin de obtener esa información.

#### REEMPLAZO GRATUITO DE LAS ETIQUETAS

**DE ADVERTENCIAS:** Si sus etiquetas de advertencia se vuelven ilegibles o faltan, llame al 1-800-433-9258 (1-800-4-DEWALT) para que se le reemplacen gratuitamente.

#### ESPECIFICACIONES

D25951      120 V      60Hz      15 A      1620/min (BPM)

Solamente para propósito de México:

Importado por: DEWALT Industrial Tool Co. S.A. de C.V.  
 Avenida Antonio Dovali Jaime, # 70 Torre B Piso 9  
 Colonia La Fe, Santa Fé  
 Código Postal : 01210  
 Delegación Alvaro Obregón  
 México D.F.  
 Tel. (52) 555-326-7100  
 R.F.C.: BDE810626-1W7

## GUÍA DE SOLUCIÓN DE PROBLEMAS

### ASEGÚRESE DE SEGUIR LAS REGLAS DE SEGURIDAD E INSTRUCCIONES

Para ayuda con su producto, visite nuestra página de Internet en [www.dewalt.com](http://www.dewalt.com) para una lista de centros de servicio, o llame a DeWALT al 1-800-4-DeWALT (1-800-433-9258).

PROBLEMA	CAUSA POSIBLE	SOLUCIÓN
La herramienta no arranca.	El cable de extensión y/o el enchufe están defectuosos.	Pida que un electricista calificado revise el cable de extensión y/o el enchufe si es necesario.
	Componentes internos demasiado calientes.	Permita que la herramienta se enfríe.
	Cepillos desgastados.	Pida que los cepillos sean reemplazados por un centro de servicio autorizado DeWALT.
Potencia reducida.	El cable de extensión es demasiado largo y/o su calibre es inadecuado.	Use un cable de extensión de una longitud aprobada y/o de calibre adecuado.
	El voltaje proporcionado por el suministro eléctrico es inadecuado.	Conecte el martillo a un suministro eléctrico adecuado.
El cincel no se puede liberar.	El mandril no está completamente retraído.	Jale el mandril hacia atrás tanto como sea posible y retire el cincel. Consulte <b><i>Inserción y eliminación de cinces SDS MAX.</i></b>



DEWALT Industrial Tool Co., 701 East Joppa Road, Towson, MD 21286  
(JAN18) Part No. N573250 D25951 Copyright © 2018 DeWALT

The following are trademarks for one or more DeWALT power tools: the yellow and black color scheme, the “D” shaped air intake grill, the array of pyramids on the handgrip, the kit box configuration, and the array of lozenge-shaped humps on the surface of the tool.